

Digital Cinema Xenon S-type lamps

Sony digital cinema projectors

Digital Xenon Cinema S-type lamps are ideal for today's demanding 3D and 2D digital cinema presentations. There is a choice of three power ratings in the S-type Digital Cinema Xenon lamps range: 2000W, 3000W, or 4200W. These lamps produce the very high light output needed to maximize screen brightness and enhance the dramatic effect for the viewer. These long-life digital lamps also provide constant color temperature characteristics, and meet all of the stringent arc-stability requirements for consistent customer satisfaction. In addition to S-type Digital Cinema Xenon lamps there are B-, C-, N-, and TA-type Digital Cinema Xenon lamps. These are all individually customized per projector, so there is a different, perfect-fitting lamp for each projector model to ensure optimized projector performance.

Benefits

- Increased brightness on the screen
- Optimum projector performance
- Constant color temperature
- High arc stability and long life

Features

- Higher light output than standard lamps
- Customized by projector model
- Pure xenon fill gas
- Proprietary, advanced electrode design

Application

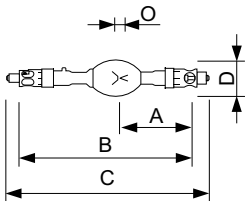
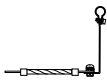
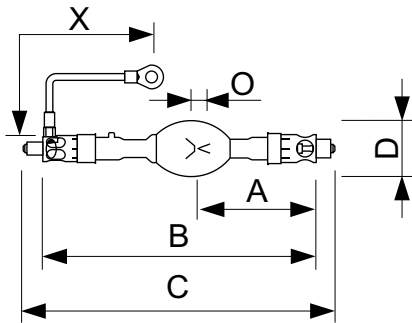
- Cinema projection

Sony digital cinema projectors

Versions



Dimensional drawing



Product	O	D	X	B	C	A
XDC 3000 S	4.1 mm	60 mm	203 mm	295 mm	336 mm	128 mm
XDC 2000 S	3.9 mm	60 mm	203 mm	295 mm	336 mm	128 mm

Product	O	D	B	C	A
XDC 4200 SL	5.0 mm	60 mm	295 mm	336 mm	128 mm
XDC 4200 S	4.2 mm	60 mm	295 mm	336 mm	128 mm

General Information

Main Application	Cinema
Operating Position	P15

Operating and Electrical

order code	Lamp Current Span (Nom)	Lamp Current (Nom)	Voltage (Nom)	Power (Rated) (Nom)
928411806201	80/115 A	100 A	28 V	3000 W
928413406301	60/95 A	80 A	25 V	2000 W

order code	Lamp Current Span (Nom)	Lamp Current (Nom)	Voltage (Nom)	Power (Rated) (Nom)
928414606201	80/148 A	135 A	31 V	4200 W
928417506301	105/135 A	132 A	32 V	4200 W

General Information

Sony digital cinema projectors

order code	Nominal Lifetime (Nom)
928411806201	1000 h
928413406301	2400 h

order code	Nominal Lifetime (Nom)
928414606201	700 h
928417506301	850 h

