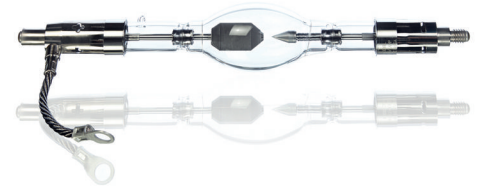


PHILIPS

Lighting



Digital Cinema Xenon B-type lamps

Barco digital cinema projectors

Digital Xenon Cinema B-type lamps are ideal for today's demanding 3D and 2D digital cinema presentations. They are especially designed for Barco projectors. There is a choice of three power ratings in the B-type Digital Xenon Cinema lamps range: 3000W, 4000W, or 6500W. There is also a choice of three power ratings in the BH-type Digital Helios lamps: 2000W, 3000W, and 4200W power ratings. All these lamps produce the very high light output needed to maximize screen brightness and enhance the dramatic effect for the viewer. These long-life digital lamps also provide constant color temperature characteristics, and meet all of the stringent arc-stability requirements for consistent customer satisfaction. In addition to B-type Digital Cinema Xenon lamps there are C-, N-, S-, and TA-type Digital Cinema Xenon lamps. These are all individually customized per projector, so there is a different, perfect-fitting lamp for each projector model to ensure optimized projector performance.

Benefits

- Increased brightness on the screen
- Optimum projector performance
- Constant color temperature
- High arc stability and long life

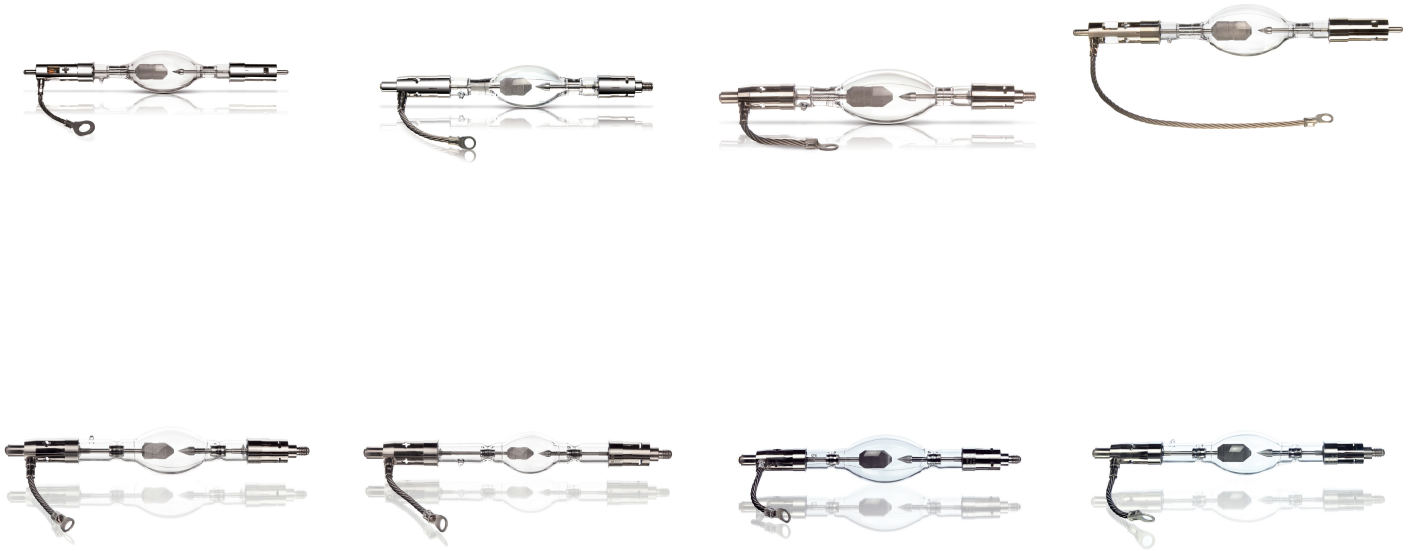
Features

- Higher light output than standard lamps
- Customized by projector model
- Pure xenon fill gas
- Proprietary, advanced electrode design

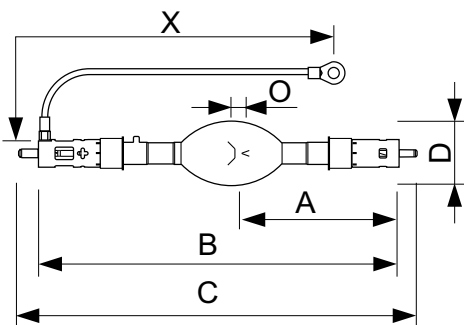
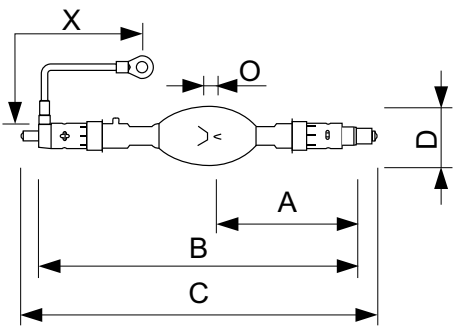
Application

- Cinema projection

Versions



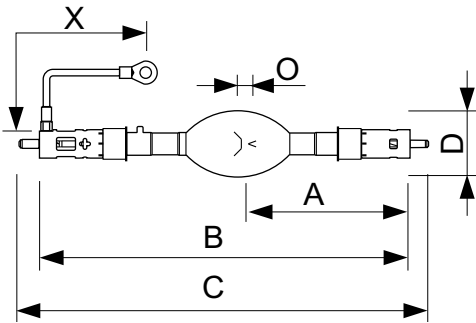
Dimensional drawing



Product	O	D	X	B	C	A
XDC -3000BL	5.7 mm	55 mm	132 mm	294 mm	341 mm	123 mm
XDC -4000BL	6.6 mm	60 mm	132 mm	294 mm	341 mm	123 mm
XDC -2200B	4.3 mm	55 mm	133 mm	294 mm	341 mm	123 mm
XDC -6500BL	8.6 mm	70 mm	152 mm	376 mm	409 mm	158 mm
XDC -1200B	4.7 mm	46 mm	132 mm	294 mm	343 mm	123 mm
XDC -2000B	4.6 mm	55 mm	140 mm	294 mm	341 mm	123 mm
XDC 3000 B	4.4 mm	55 mm	132 mm	294 mm	341 mm	123 mm
XDC 4000 B	6.1 mm	60 mm	132 mm	294 mm	341 mm	123 mm

Product	O	D	X	B	C	A
XDC 6000 B	7.0 mm	70 mm	152 mm	393 mm	433 mm	170.5 mm
XDC 4500 B	6.0 mm	60 mm	152 mm	370 mm	410 mm	171 mm

Dimensional drawing



Product	O	D	X	B	C	A
XDC -6500BI	7.5 mm	70 mm	152 mm	391 mm	433 mm	170.5 mm
XDC 6500 B	7.5 mm	70 mm	152 mm	391 mm	433 mm	170.5 mm

General Information

Main Application Cinema

Operating and Electrical

order code	Lamp Current Span	Lamp Current (Nom)	Voltage (Nom)	Power (Rated) (Nom)
928415006301	140/175 A	170 A	38 V	6500 W
928418606301	105/175 A	170 A	38 V	6500 W
928418706301	44/175 A	162 A	40 V	6501 W
928415206301	60/100 A	90 A	30 V	3000 W
928415306301	60/85 A	80 A	25 V	2000 W
928417006301	100/130 A	120 A	33 V	4000 W

order code	Lamp Current Span	Lamp Current (Nom)	Voltage (Nom)	Power (Rated) (Nom)
928417606301	140/175 A	170 A	35 V	6000 W
928417706301	80/150 A	145 A	30 V	4500 W
928418406301	60/85 A	75 A	27 V	2200 W
928418506301	50/70 A	60 A	20 V	1200 W
928419106301	65/130 A	75 A	35 V	4000 W
928419206301	50/100 A	90 A	31 V	3000 W

General Information

order code	Nominal Lifetime (Nom)	Operating Position
928415006301	500 h	P15
928418606301	500 h	P15
928418706301	600 h	P15
928415206301	1500 h	P15
928415306301	2400 h	P5
928417006301	1000 h	P15

order code	Nominal Lifetime (Nom)	Operating Position
928417606301	600 h	P15
928417706301	1000 h	P15
928418406301	1500 h	P5
928418506301	3000 h	P5
928419106301	1300 h	P5
928419206301	1700 h	P5

