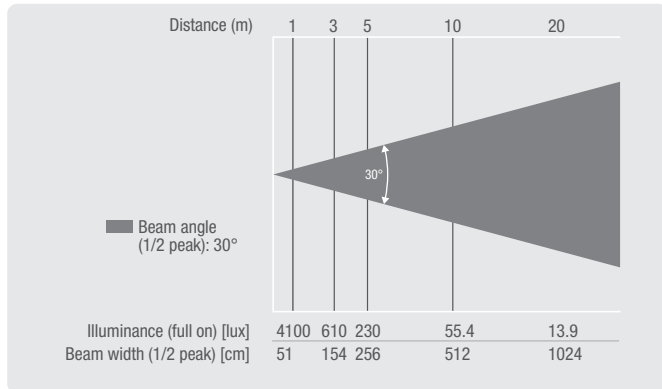


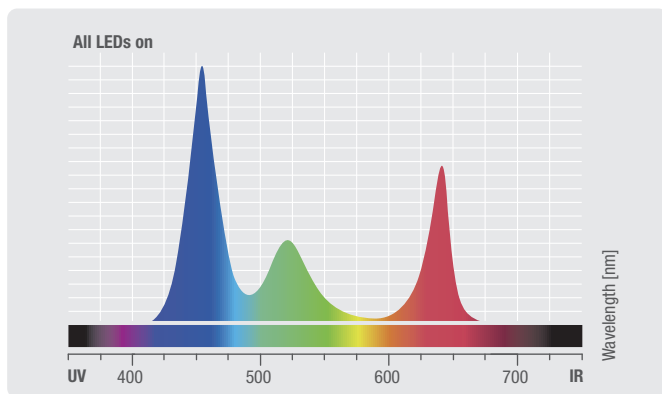
Photometric Measurements

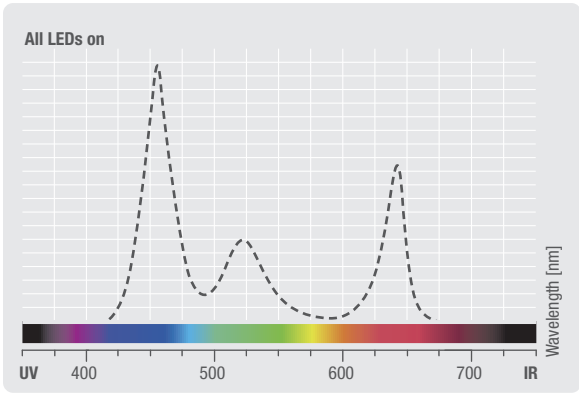
Photometrische Messungen | Mesures Photométriques
Mediciones Fotométricas

FLAT PAR CAN TRI 3W IR (CLPFLAT1TRI3WIR/SET1/WH/WHSET)



Luminous flux		Chromaticity coordinates	
All LEDs on	778 lm	x 0.227	y 0.190





Luminous flux	Chromaticity coordinates	
All LEDs on	778 lm	x 0.227 y 0.190